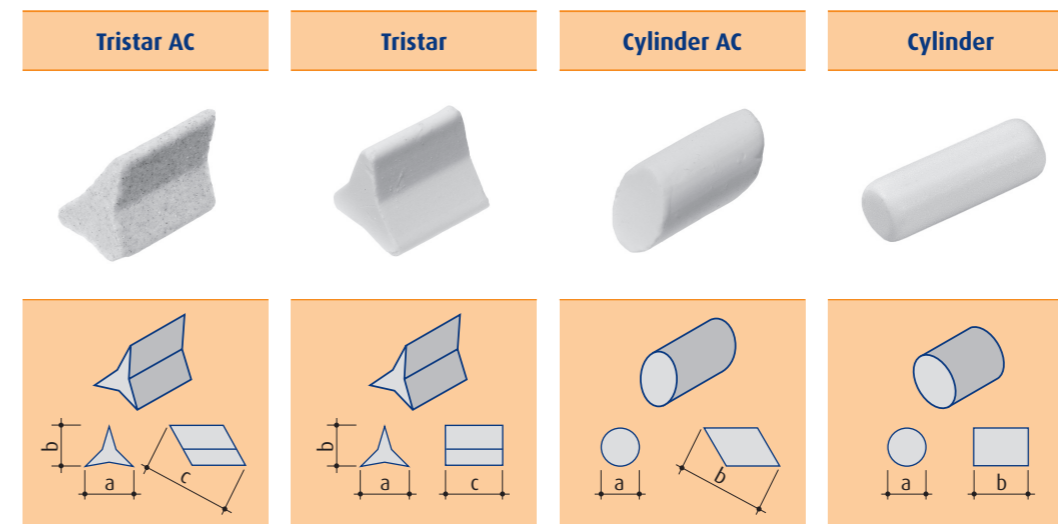
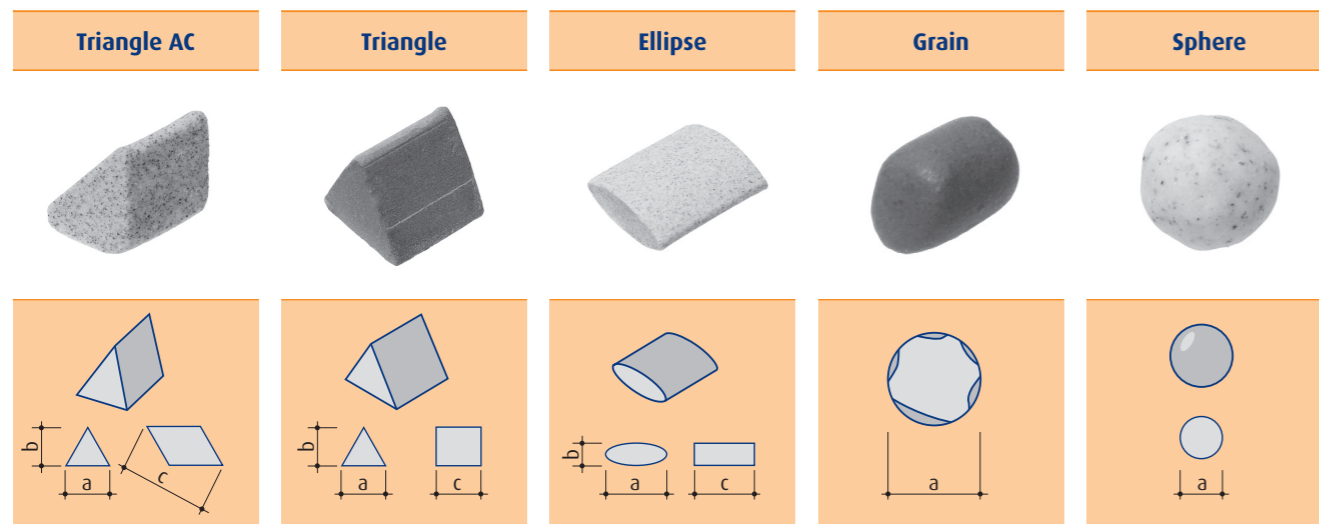


CERAMIC MEDIA

1. Shapes and sizes



2. Properties

Quality	Density g/cm ³	Abrasiv power/Material removal
M7	2.62	
M10	2.52	
M11	2.80	
M3	2.55	
M8	2.49	
M15	2.91	
MCA	3.50	
GL	2.50	

Example of order:

Item N°	Shape	Quality	Size a x b x c
300.078	Triangle AC	M15	3 x 2.5 x 3

Other shapes, qualities and sizes on demand.

For further information see detailed list.