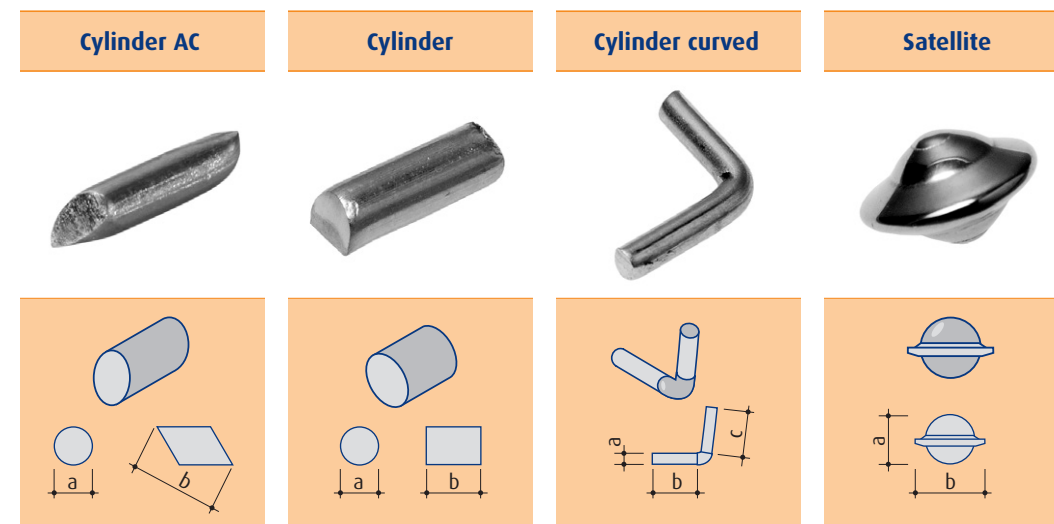
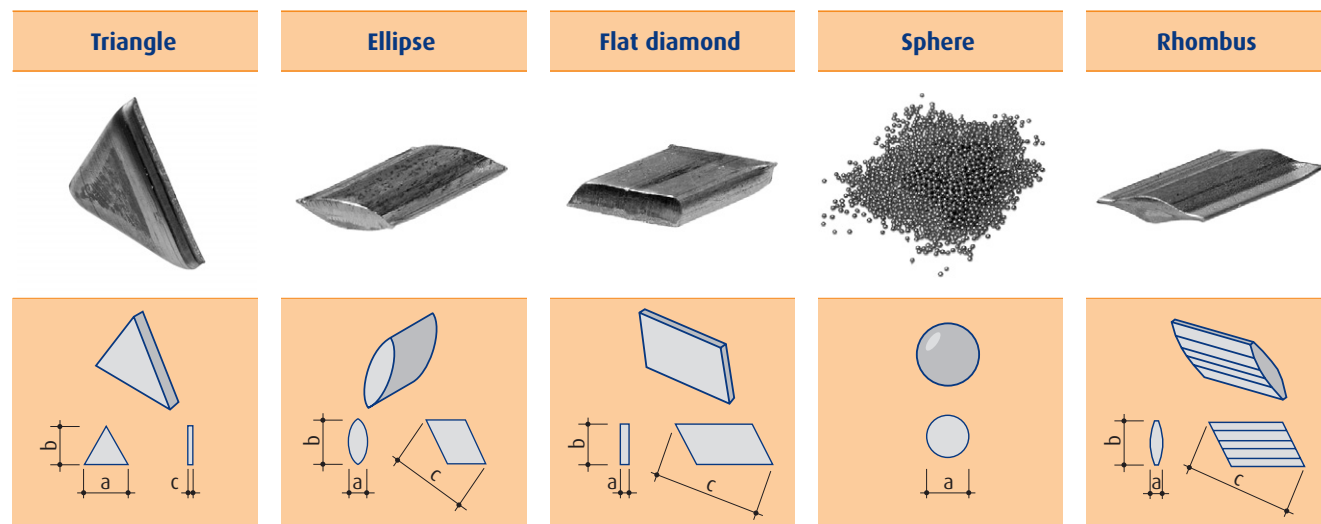


METAL MEDIA

1. Shapes and sizes



2. Properties

Quality	Density g/cm ³	Material	Material N°
DCU	8.93	Copper	CU 99.95%
BR	8.83	Bronze	CU 98% SN 11%
ALU	2.70	Aluminium	EN AV-AI 99.5
SDI	7.80	Stainless steel	1.4301/1.4310

Example of order:

Item N°	Shape	Quality	Size a x b x c
200.107	Cylinder	DCU	1 x 6

Other shapes, materials and sizes on demand.